

ANTIQUE BRASS DECK LIGHT

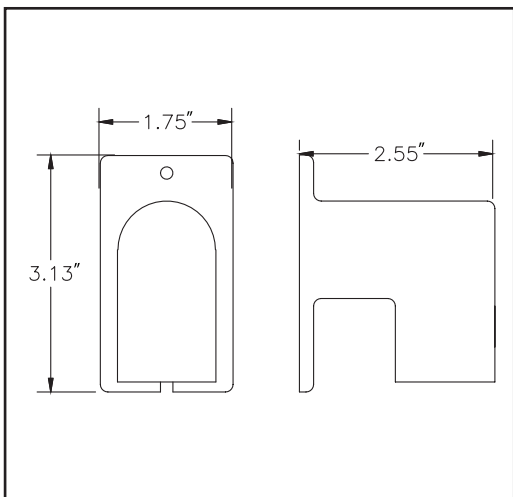
**BB-O2 LED LOW AND STANDARD OUTPUT**



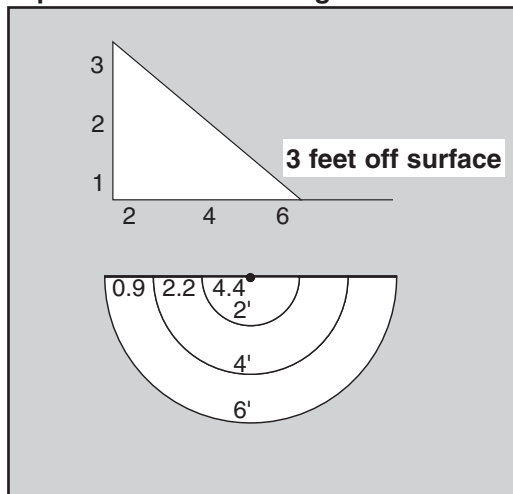
**ANT. BRASS WALL/DECK LIGHT**      bb-02 LED Deck

*A slender option for narrow deck or fence rails or anywhere a discreet fixture is best, this efficient deck light is made to blend in with its surroundings and pack a powerful punch.*

- EQUIVALENT:**      **LOW OUTPUT EQUAL TO 10 WATT HALOGEN**  
                                 **STANDARD OUTPUT EQUAL TO 20 WATT HALOGEN**
- MATERIAL:**            **ANTIQUE BRASS**
- BEAM SPREAD:**        **NO OPTIC 120°**
- SPECIFICATIONS:**    **150/300 LUMENS**  
                                 **2,700K**  
                                 **80+ CRI**  
                                 **WET LOCATION**



**Equivalent 20 Watt Halogen**



**Equivalent 10 Watt Halogen**

